

**PLEASE CHECK WWW.MOLEX.COM FOR LATEST PART INFORMATION**

**Part Number:** [0365110169](#)  
**Status:** **Active**  
**Overview:** [din\\_41612](#)  
**Description:** 2.54mm (.100") Pitch DIN 41612 Header, Style R, Through Hole, Vertical, 1.10µm (43µ") Gold (Au) Plating, Tail Length 13.00mm (.512"), 64 Circuits

**Documents:**

[Drawing \(PDF\)](#) [RoHS Certificate of Compliance \(PDF\)](#)  
[Product Specification PS-36511-001 \(PDF\)](#)

**General**

Product Family	Backplane Connectors
Series	<a href="#">36511</a>
Application	Backplane
Comments	No Mounting Clip
Component Type	PCB Header
Overview	<a href="#">din_41612</a>
Product Name	IEC 603-2/DIN 41612
Style	R

**Physical**

Circuits (Loaded)	64
Circuits (maximum)	64
Circuits Detail	1,2,3,...32; a+c
Color - Resin	Gray
Durability (mating cycles max)	500
First Mate / Last Break	No
Guide to Mating Part	No
Keying to Mating Part	None
Material - Metal	Brass
Material - Plating Mating	Gold
Material - Plating Termination	Tin
Material - Resin	Polyester
Number of Columns	32
Number of Pairs	Open Pin Field
Number of Rows	2
Orientation	Vertical
PC Tail Length (in)	0.512 In
PC Tail Length (mm)	13.00 mm
PCB Locator	No
PCB Retention	Yes
PCB Thickness Recommended (in)	0.062 In, 0.125 In
PCB Thickness Recommended (mm)	1.60 mm, 3.20 mm
Packaging Type	Carton
Pitch - Mating Interface (in)	0.100 In
Pitch - Mating Interface (mm)	2.54 mm
Pitch - Term. Interface (in)	0.100 In
Pitch - Term. Interface (mm)	2.54 mm
Plating min: Mating (µin)	43
Plating min: Mating (µm)	1.10
Polarized to PCB	No
Stackable	No
Surface Mount Compatible (SMC)	No
Temperature Range - Operating	-55°C to +125°C

**Electrical**

**EU RoHS**  
**ELV and RoHS**  
**Compliant**  
**REACH SVHC**  
**Not Reviewed**  
**Halogen-Free**  
**Status**  
**Not Reviewed**

**China RoHS**



**Need more information on product environmental compliance?**

Email [productcompliance@molex.com](mailto:productcompliance@molex.com)  
 For a multiple part number RoHS Certificate of Compliance, [click here](#)

Please visit the [Contact Us](#) section for any non-product compliance questions.

**Search Parts in this Series**  
[36511Series](#)

Current - Maximum per Contact	1A
Data Rate	622.0 Mbps
Voltage - Maximum	1000V (RMS)

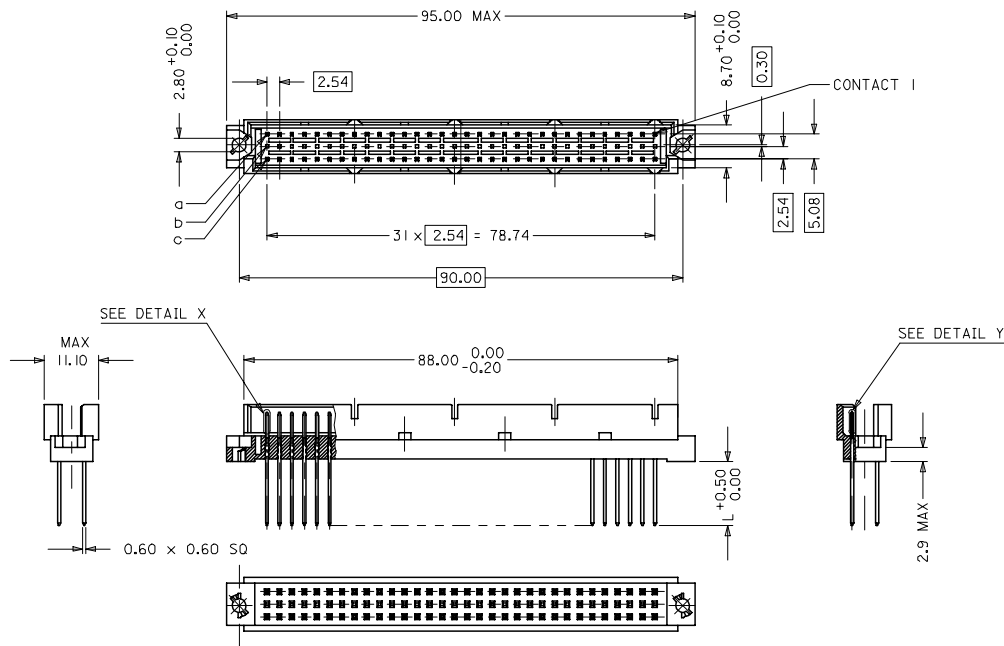
### **Material Info**

### **Reference - Drawing Numbers**

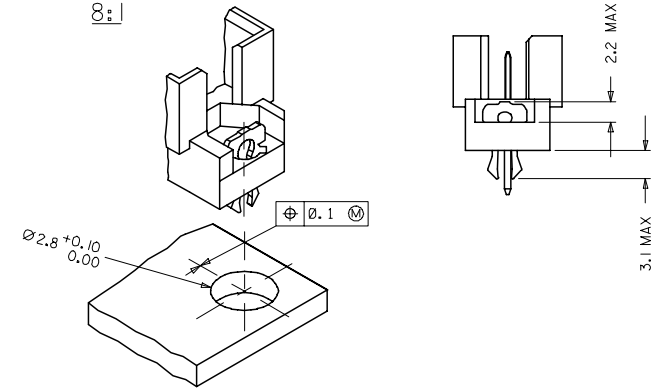
Packaging Specification	PK-36511-001
Product Specification	PS-36511-001
Sales Drawing	SD-36511-006

This document was generated on 05/13/2010

**PLEASE CHECK [WWW.MOLEX.COM](http://WWW.MOLEX.COM) FOR LATEST PART INFORMATION**

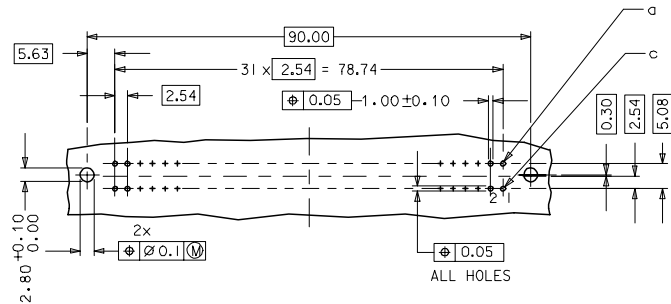


WITH MOUNTING CLIPS



- NOTES:
- 1) MATERIALS: THERMOPLASTIC POLYESTER, GLASS FILLED, UL94V-0, COLOUR: PEBBLE GREY RAL 7032  
TERMINAL - BRASS  
MOUNTING CLIP: STEEL
  - 2) FINISH: TERMINAL:-  
CONTACT AREA:  
1. PERFORMANCE LEVEL 1: SELECTIVE GOLD (Au), THICKNESS = 1.1 MICROMETER OVER NICKEL, THICKNESS = 1.25 MICROMETER  
2. PERFORMANCE LEVEL 2: SELECTIVE GOLD (Au), THICKNESS = 0.6 MICROMETER OVER NICKEL, THICKNESS = 1.25 MICROMETER  
3. PERFORMANCE LEVEL 3: SELECTIVE GOLD (Au), THICKNESS = 0.3 MICROMETER OVER NICKEL, THICKNESS = 1.25 MICROMETER  
TERMINATION AREA:  
SELECTIVE TIN, THICKNESS = 2.5 MICROMETER OVER NICKEL, THICKNESS = 1.25 MICROMETER OVERALL
  - 3) MOUNTING CLIP:-  
TIN (Sn), THICKNESS = 5-10 MICROMETER, OVER NICKEL (Ni), THICKNESS = 2.5 MICROMETER
  - 4) FOR NON MOUNTING CLIP OPTION, CONNECTOR TO BE SECURED WITH RIVETS: 2 TUBULAR RIVETS 2.5 x 0.3 ... DIN 7340  
SCREWS: 2 CHEESEHEAD SCREWS M2.5 x ... DIN 84 AND 2 HEXAGONAL NUTS M2.5 DIN 934
  - 5) MATERIAL NUMBER, BATCH CODE, UL AND CSA MARKING TO BE PRINTED ON THE CONNECTOR
  - 6) CUT FACE OF TIP WITHOUT PLATING PERMITTED
  - 7) PRODUCT SPECIFICATION PS : 36511-001

RECOMMENDED PCB LAYOUT  
COMPONENT SIDE

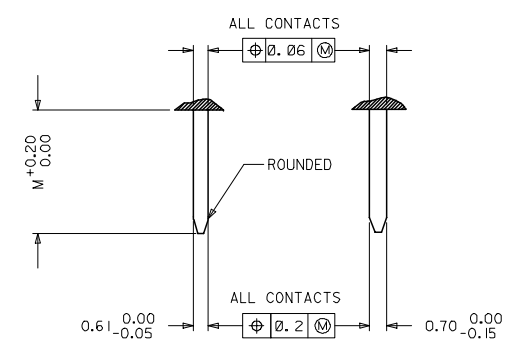


RoHS COMPLIANT

EC No: P2007-0468 DRWNS BANAR 2007/07/30 (CHK/PRASAD 2007/07/31) (APPR/PRASAD 2007/07/31)	QUALITY SYMBOLS ▽=0 ▽=0	GENERAL TOLERANCES (UNLESS SPECIFIED)		DIMENSION STYLE MM ONLY		SCALE 2:1	DESIGN UNITS METRIC	THIRD ANGLE PROJECTION
		4 PLACES ± 0.15 ± 0.15 3 PLACES ± 0.05 ± 0.05 2 PLACES ± 0.1 ± 0.1 1 PLACE ± 0.15 ± 0.15	INCH ± 0.005 ± 0.005 ± 0.005 ± 0.005	DRAWN BY SS	DATE 1999/09/24	TITLE ASSEMBLY, DIN 41612 R MALE, 64 POS WIRE WRAP A+C LOADED L = 13	MATERIAL NO. SEE CHART	DOCUMENT NO. SD-36511-006
DRAFT WHERE APPLICABLE MUST REMAIN WITHIN DIMENSIONS	SIZE A1	THIS DRAWING CONTAINS INFORMATION THAT IS PROPRIETARY TO MOLEX INCORPORATED AND SHOULD NOT BE USED WITHOUT WRITTEN PERMISSION						

MATERIAL No.	MOLEX ENG No.	PERF LEVEL	PLATING	CONTACT SEQUENCE/ROW	DIM "L" MM	MOUNTING CLIP	FMLB
36511-0169	MM-B1440-R963	1	Au + Ni	1,2,3...32 a+c	13	NO	NO
36511-0170	MM-B1540-R963	2	Au + Ni	1,2,3...32 a+c	13	NO	NO
36511-0171	MM-B1640-R963	3	Au + Ni	1,2,3...32 a+c	13	NO	NO
36511-0175	MM-B1440-R913	1	Au + Ni	1,2,3...32 a+c	13	YES	NO
36511-0176	MM-B1540-R913	2	Au + Ni	1,2,3...32 a+c	13	YES	NO
36511-0177	MM-B1640-R913	3	Au + Ni	1,2,3...32 a+c	13	YES	NO
36511-0181	MM-B1440-R933	1	Au + Ni	1,2,3...32 a+c	13	NO	1,32a 1,32c
36511-0182	MM-B1540-R933	2	Au + Ni	1,2,3...32 a+c	13	NO	1,32a 1,32c
36511-0183	MM-B1640-R933	3	Au + Ni	1,2,3...32 a+c	13	NO	1,32a 1,32c
36511-0187	MM-B1440-R953	1	Au + Ni	1,2,3...32 a+c	13	YES	1,32a 1,32c
36511-0188	MM-B1540-R953	2	Au + Ni	1,2,3...32 a+c	13	YES	1,32a 1,32c
36511-0189	MM-B1640-R953	3	Au + Ni	1,2,3...32 a+c	13	YES	1,32a 1,32c

DETAILY      DETAILX



PRE MATING CONTACTS	5.4
NORMAL CONTACTS	4.8
	M

RoHS COMPLIANT

<b>ENTER DESCRIPTION</b> ELC INC. 12007-0468 DRAWING BINARY 2007/07/30 (CHKD/PRASAD 2007/07/31) (APPROVED/SD 2007/07/31)	<b>QUALITY SYMBOLS</b> ▽=0 ▽=1	<b>GENERAL TOLERANCES (UNLESS SPECIFIED)</b>		<b>DIMENSION STYLE</b> MM ONLY	<b>SCALE</b> 2:1	<b>DESIGN UNITS</b> METRIC	THIRD ANGLE PROJECTION
		4 PLACES ± --- ± --- 3 PLACES ± 0.05 ± --- 2 PLACES ± 0.1 ± --- 1 PLACE ± 0.15 ± ---	INCH --- --- ---	<b>DRAWN BY</b> SS	<b>DATE</b> 1999/09/24	<b>TITLE</b> ASSEMBLY, DIN 41612 R MALE, 64 POS WIRE WRAP A+C LOADED L = 13	<b>MOLEX INCORPORATED</b>
<b>DRAFT WHERE APPLICABLE MUST REMAIN WITHIN DIMENSIONS</b>	<b>SEE CHART</b>	<b>MATERIAL NO.</b> SD-36511-006	<b>DOCUMENT NO.</b> SD-36511-006	<b>SHEET NO.</b> 2 OF 2	THIS DRAWING CONTAINS INFORMATION THAT IS PROPRIETARY TO MOLEX INCORPORATED AND SHOULD NOT BE USED WITHOUT WRITTEN PERMISSION		